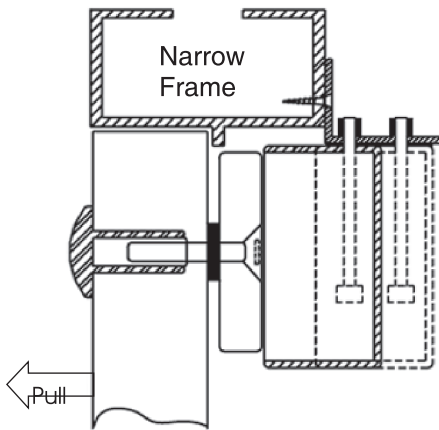


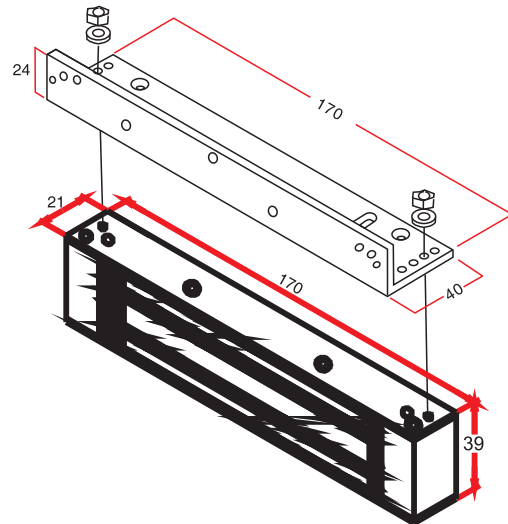
L Bracket for Narrow Door for Electromagnetic Lock

Installation

- A. In case of the width of the door frame less than 42mm and there is not enough space ,L bracket is needed to be installed for the armature plate.
- B. Discharge the mounting plate from lock body.
- C. Fix the L bracket on the door frame.
- D. Use the Allen key to fix the lock body the on the Z bracket.



Narrow door frame(swing out)



L Bracket Installation

Model	Size(unit:mm)
L Bracket for Narrow Door for Electromagnetic Lock mount 300kg	250Lx47Wx28H
L Bracket for Narrow Door for Electromagnetic Lock mount 500kg	265Lx72Wx45H