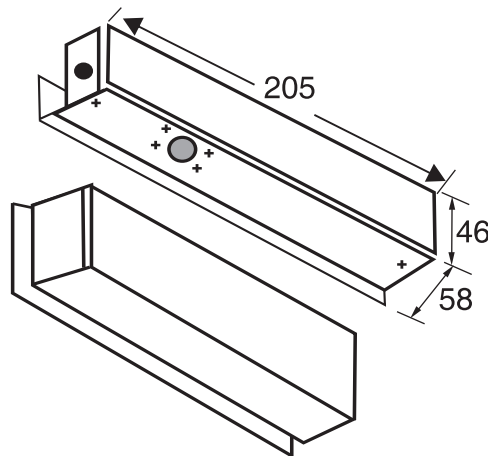


Bracket for Fully Frameless Glass Door

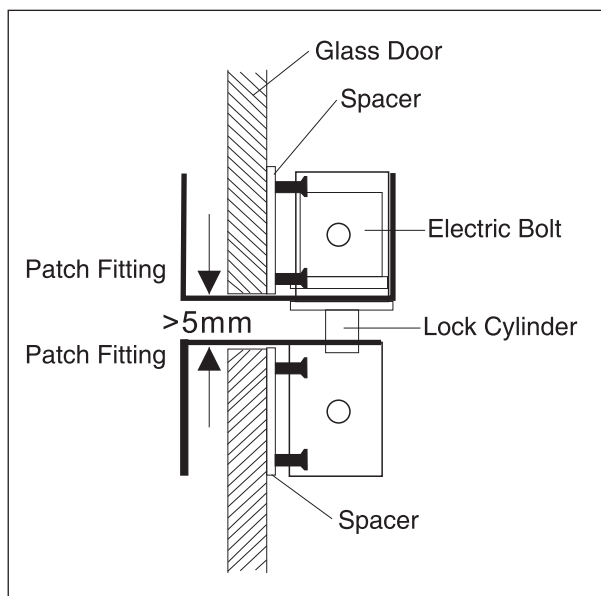
Specification

- Dimension: 205Lx58Wx46H(mm)
- Standard Structure: Stainless steel , Wire Drawing Finished
- Suitable for Door: Fully Frameless Glass Door
- Glass Thickness: 10-15mm
- Opening Mode: 180 Degree Door
- Finished for Shell: Stainless steel, Wire Drawing
- Weight: 1.6kg

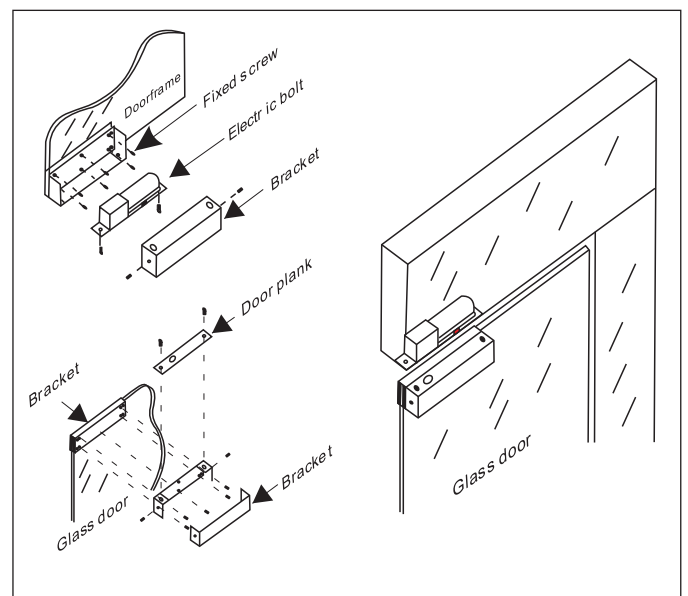
Dimension



Installation



Bracket Section View



Bracket Installation Diagram