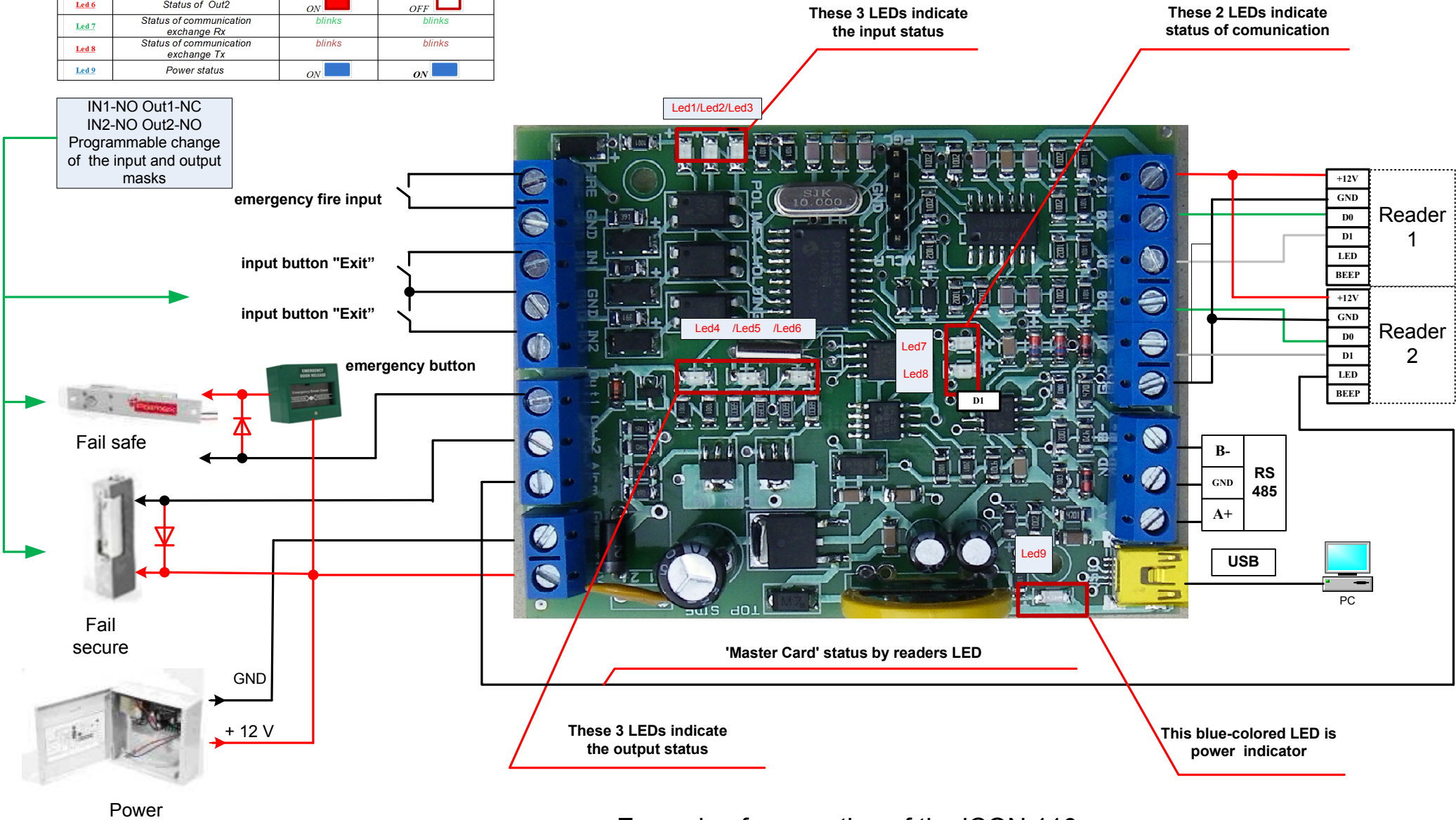


Led №	Indicate the activ status of:	Mask of inputs and outputs	
		NO (normally open)	NC (normally closed)
Led 1	Status of Button (In2)	ON	OFF
Led 2	Status of Button (In1)	ON	OFF
Led 3	Status of fire alarm system input	ON	ON
Led 4	Status reading 'Master Card'	blinks and then illuminate	blinks and then illuminate
Led 5	Status of Out1	ON	OFF
Led 6	Status of Out2	ON	OFF
Led 7	Status of communication exchange Rx	blinks	blinks
Led 8	Status of communication exchange Tx	blinks	blinks
Led 9	Power status	ON	ON



Example of connection of the iCON 110